

Switching Transformer (Original Bobbin)



PIN TYPE CT series

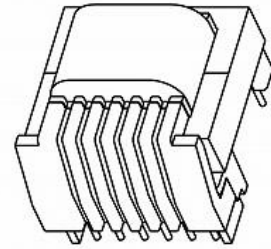
TYPE : CT19A

■ Product Description

Downsized, Horizontal and Lower cost types

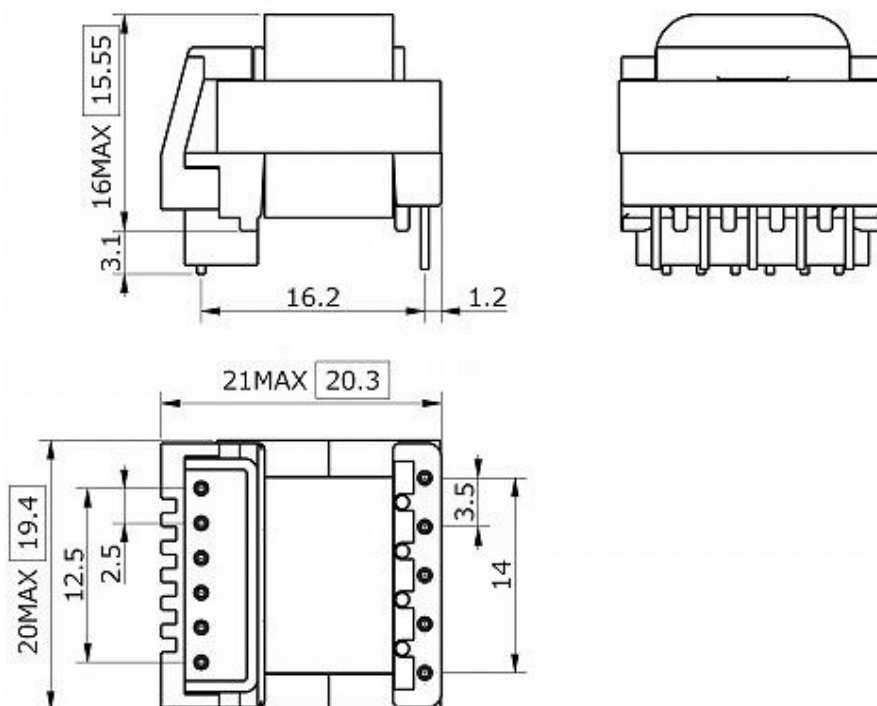
Creepage Distance

Primary - Secondary : 6.4mm



■ Application & Production

■ Dimensions (unit : mm)



■ Applicable core

6H20EE19/16K (JSF) , etc.

1. Specifications are subject to change for improvement without notice.
2. Please request us detailed specification.