

Switching Transformer (Original Bobbin)



PIN TYPE WT series

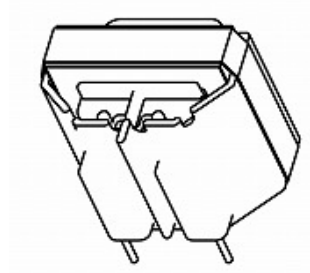
TYPE : WT22EE

■ Product Description

Downsized, Vertical and Lower cost types

Creepage Distance

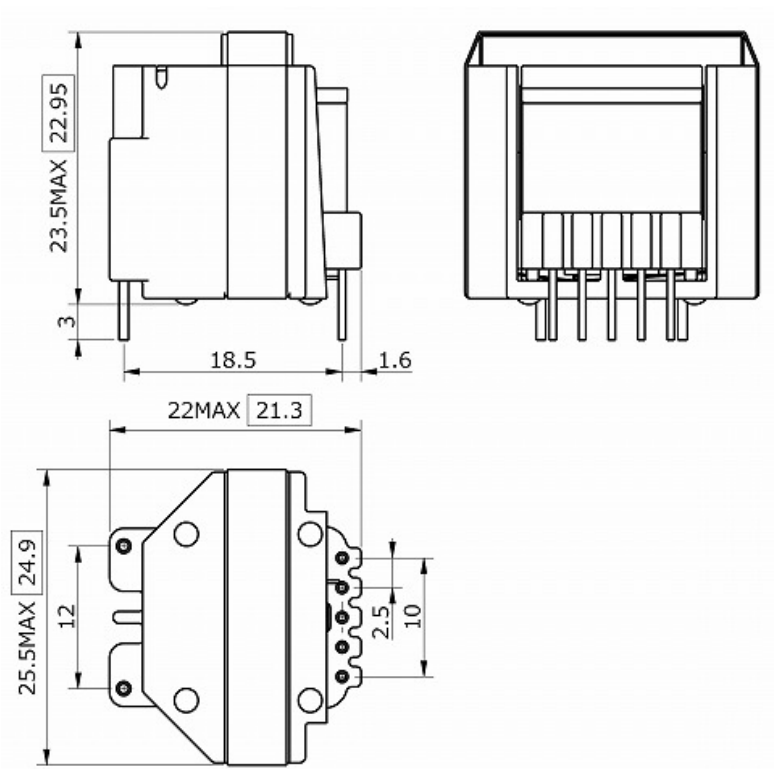
Primary - Secondary : 15mm



■ Application & Production

Telecommunications equipment

■ 寸法 Dimensions (unit : mm)



■ Applicable core

EE22/19 (JSF) , PC40EE22-Z (TDK) , etc.

1. Specifications are subject to change for improvement without notice.
2. Please request us detailed specification.