

Switching Transformer (Original Bobbin)



PIN TYPE WT series

TYPE : WT16EE

■ Product Description

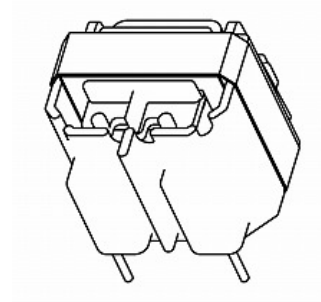
Downsized, Vertical and Lower cost types

Creepage Distance

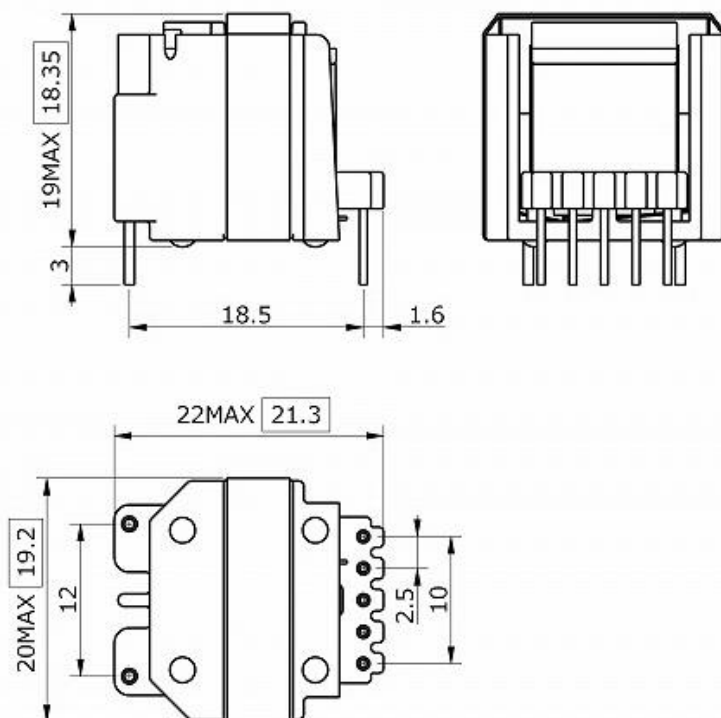
Primary - Secondary : 15mm

■ Application & Production

Telecommunications equipment



■ 寸法 Dimensions (unit : mm)



■ Applicable core

6H20EE16/14C (JSF) , PC40EE16-Z (TDK) , etc.

1. Specifications are subject to change for improvement without notice.
2. Please request us detailed specification.